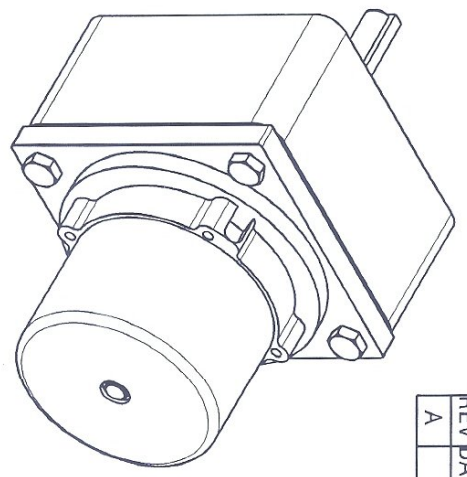


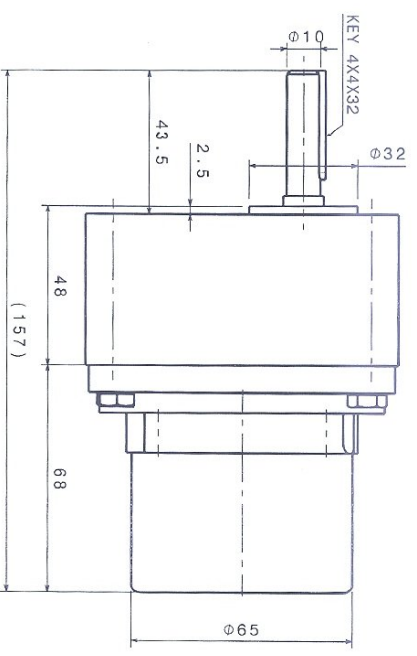
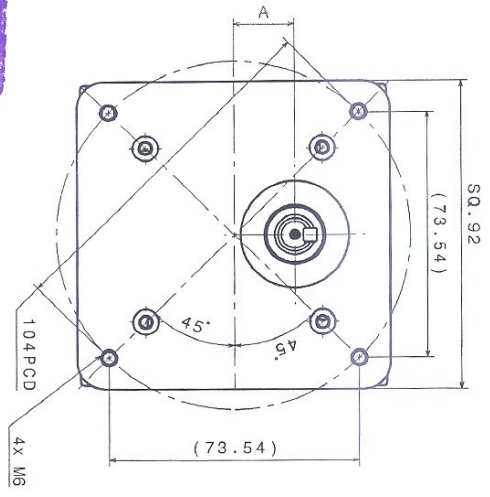
Quantity	Part Number	Type	Nomenclature	Revision
1	3000-02	Part	FLANGE	A
1	6001 ID12 0D28 THK8	Part	BEARING	-
1	3000-01	Part	SHAFT	A
1	2965-03	Part	BODY	A
1	627 ID7 0D22 THK7	Part	BEARING	-
1	TCGB INLINE GEARBOX	Part	TCGB INLINE GEARBOX	-
4	ISO 1207 SCREW MAX16	Part	SCREW	-
4	STEEL GRADE A	Part	SLOTTED CHEESE HEAD	-
4	ISO 4014 BOLT M6x30	Part	BOLT	-
4	STEEL GRADE A	Part	HEXAGON HEAD	-
1	2965-04	Part	ROTARY CUP WITH PERMANENT MAGNET	A
1	3289-06	Part	23-2 FR STAMPING WITH WINDING 23-2	0

Bill of Material: 3000-00
 Recapitulation of: 3000-00
 Different parts: 10
 Total parts: 16



Isometric view

Quantity	Part Number
1	3000-02
1	6001 ID12 0D28 THK8
1	3000-01
1	2965-03
1	627 ID7 0D22 THK7
1	TCGB INLINE GEARBOX
4	ISO 1207 SCREW MAX16
4	STEEL GRADE A
4	SLOTTED CHEESE HEAD
4	ISO 4014 BOLT M6x30
4	STEEL GRADE A
1	HEXAGON HEAD
1	2965-04
1	3289-06



TACHOMETRIC CONTROLS
 CONTROL COPY
 Copy No. : 1
 Issued Date : 4/9/2015
 Issued To : ASCO (Quality)
 Issuing Auth : ASCO

19.1:1	12.5
15.5:1	18.0
5.3:1	20.3
RATIO	A

REV	DATE	DESCRIPTION	INIT
A	XXX	None	XXX

DIMENSIONS ARE IN MM UNLESS OTHERWISE SPECIFIED.
 REMOVE SHARP EDGES AND CORNERS. IN CASE OF DOUBT PLEASE ASK.
 UNSPECIFIED TOLERANCE AS PER IS-2102 PART-1-1993 METRIC CLASS.

This drawing is our property. It can't be reproduced or communicated without our written agreement.

DATE	BY	DATE	BY	DATE	BY
7/16/2015	ASW	7/16/2015	ASW	7/16/2015	ASW
XXX	CHECKED BY	XXX	CHECKED BY	XXX	CHECKED BY
XXX	DESIGNED BY	XXX	DESIGNED BY	XXX	DESIGNED BY

TACHOMETRIC CONTROLS
 SR. NO. 50/10/12 NEAR ABHIJITH IND. ESTATE, POST-NARHE, TAL. HAVELI, PUNE-41041 (INDIA)
 DRAWING TITLE: **BLDC MOTOR**
 MODEL: **23-2, TECHNOCRAFT IL GB)**
 SIZE: **A2**
 DRAWING NUMBER: **3000-00**
 SCALE: **1:1** WEIGHT (kg): **XXX** REF. NO.: **278-00** SHEET: **1/1**