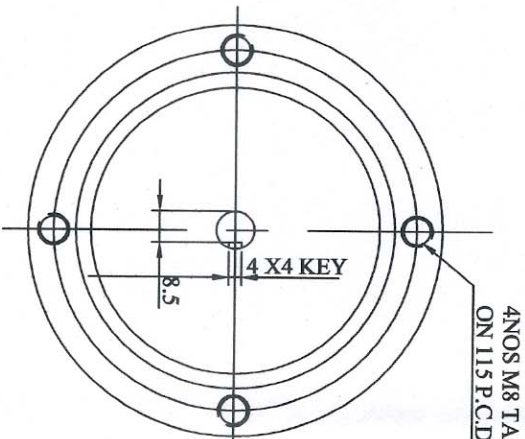
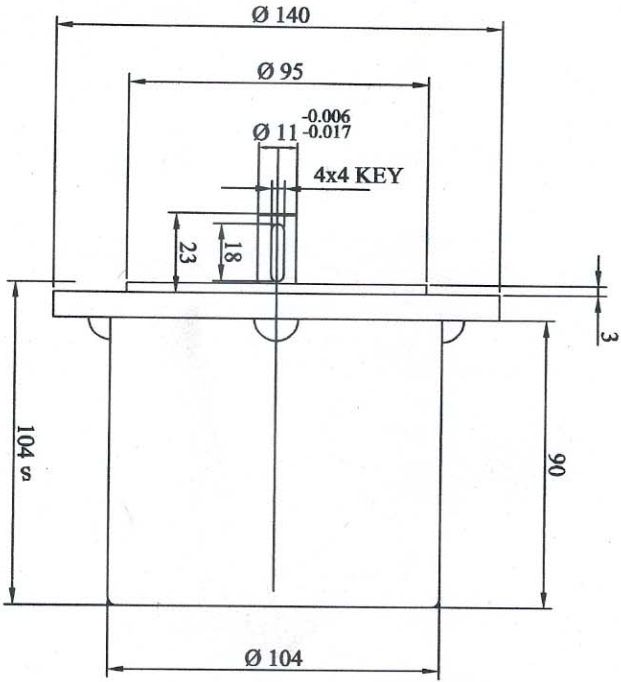


SYMBOL	▽▽▽▽	▽▽▽	▽▽	▽	S
RA / UM	0.025-0.1	0.1 - 0.8	1.6 - 8.3	12.5 - 2.5	50



FLANGE : BLD-2864-02  
 SHAFT: BLD-2864-01  
 BODY : -2864-03

USE BRG: 6200 FOR N.D.E.  
 6201-D.E.

22 31717 2008  
 AUG  
 CONTROLLED COPY

DIMENSIONS ARE IN MILLIMETERS. FIRST ANGLE PROJECTIONS. DO NOT SCALE THE DRAWING. SHARP EDGES REMOVED. IN CASE OF DOUBT PLEASE ASK. DEVIATION ON NON TOLERANGED LINEAR MACHINED DIMENSIONS IS: 2102-1980 MEDIUM CLASS.		WEIGHT		TITLE	
UP TO	6	30	120	315	1000
INCLUDE	0.5	6	30	120	315
ABOVE	0.1	0.2	0.3	0.5	0.8
TOTAL	0.1	0.2	0.3	0.5	0.8
SCALE	M.D.K				
TACHOMETRIC CONTROLS		BLDC MOTOR ASSLY MODEL- 36 FR-3 DOUBLE MAGNET			
SR.NO 50/10/12 Near Abhitruchi Ind. Estate Nahie, Tal Haveli, PUNE-411041		DATE 17/06/08			
DRG.NO. BLD-2864-00		DRN. M.D.K			
APPRD.		APPRD.			