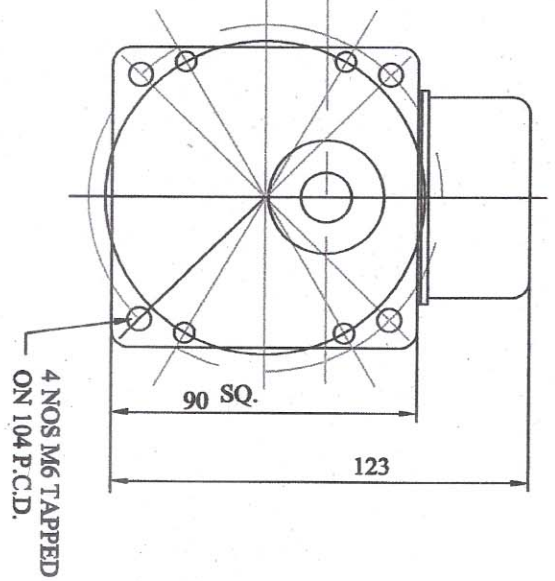
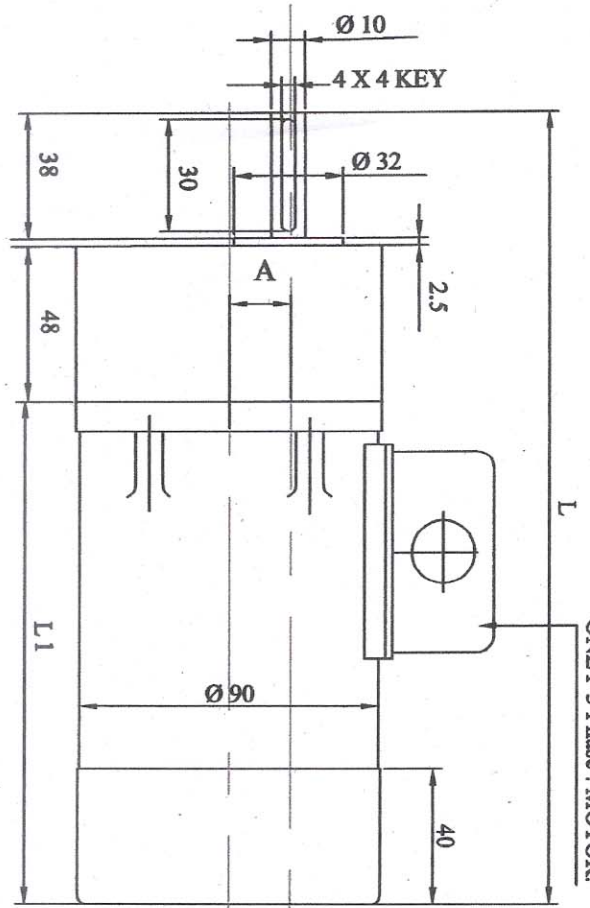


TERMINAL BOX SUPPLY  
ONLY 3 Phase . MOTOR.



SYMBOL	VVVV	VVV	VV	V	S
RA / UM	0.025-0.1	0.1 - 0.8	1.6 - 8.3	12.5 - 2.5	50

10 : 1	18
5.3 : 1	20.3
15.5 : 1	18.0
3.7 : 1	20
24:1	12.8
RATIO	A

56 F (90/120W)	148	234
56 F (40/60 W)	128	214
MODEL	L 1	L

DIMENSIONS ARE IN MILLIMETERS.

FIRST ANGLE PROJECTIONS.  
DO NOT SCALE THE DRAWING.  
SHARP EDGES REMOVED.  
IN CASE OF DOUBT PLEASE ASK.

DEVIATION ON NON TOLERANCED LINEAR MACHINED DIMENSIONS  
IS:2102-1980 MEDIUM CLASS.

SYM.	DATE	CHAN.NO.	BRIEF RECORD	SIGN.
24/1/05	24/1/05	CH-10002	DRG.NO.ADDED	M.D.K
			AMENDMENTS	

ABOVE	0.5	6	30	120	315
UP TO INCLUDE	6	30	120	315	1000
TOTAL	0.1	0.2	0.3	0.5	0.8

WEIGHT	TITLE	DATE
N.D.S	GEARED IND. MOTOR 56 FRAME INLINE TECHNOGRAPH GEAR BOX FOR PRESSURE DIA CAST. TACHOMETRIC CONTROLS 1025,AB, SADASHIV PETH, PUNE 30, INDIA.	2/03/08
SCALE		DRN. M.D.K
		APPRD.
		DRG.NO. 56F-2825-00

BODY NO. 2755-03  
SHAFT NO. 2825-01  
FLANGE NO. 2772

18 Aug 2008  
CONTROLLED COPY