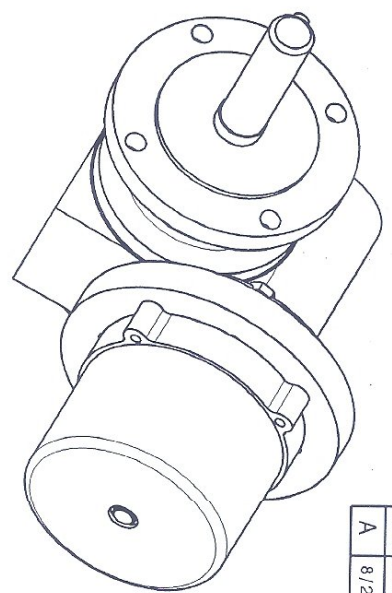


Quantity	Part Number	Type	Nomenclature	Revision
1	2789-01	Part	SHAFT	A
1	2789-02	Part	FLANGE	A
1	6001 1D12 0D28 THK3	Part	BEARING	-
1	2965-03	Part	BODY	A
1	627 1D7 0D22 THK7	Part	BEARING	-
4	ISO 4014 BOLT M5x25	Part	BOLT	-
	HEXAGON HEAD			
4	ISO 1207 SCREW M4x16	Part	SCREW	-
	STEEL GRADE A			
1	3289-06	Part	STAMPING WITH WINDING 23-2	0
1	2965-04	Part	ROTARY CUP WITH PERMANENT MAGNET 23-2 FR	A
1		Part	Flange Mounted Worm Gearbox	-

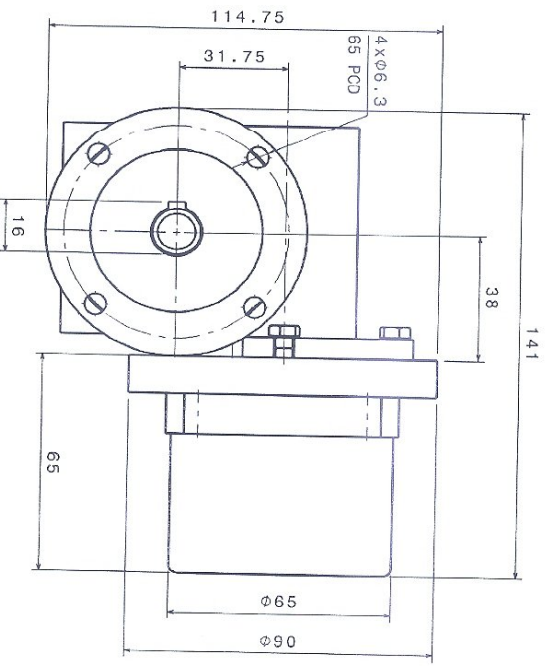
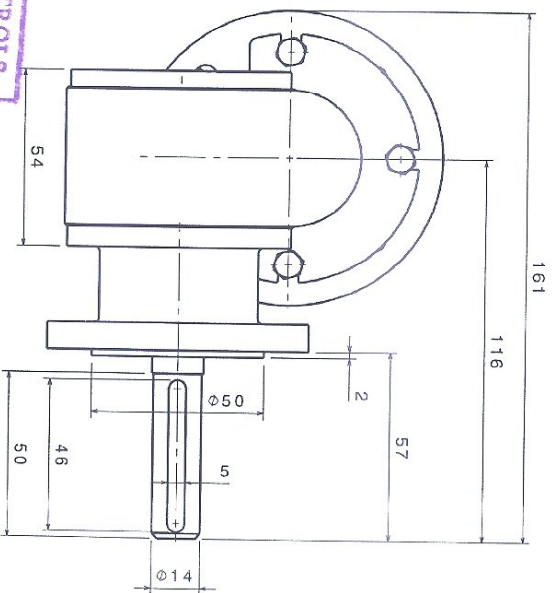
Quantity	Part Number	Type	Nomenclature	Revision
1	2789-01	Part	SHAFT	A
1	2789-02	Part	FLANGE	A
1	6001 1D12 0D28 THK3	Part	BEARING	-
1	2965-03	Part	BODY	A
1	627 1D7 0D22 THK7	Part	BEARING	-
4	ISO 4014 BOLT M5x25	Part	BOLT	-
	HEXAGON HEAD			
4	ISO 1207 SCREW M4x16	Part	SCREW	-
	STEEL GRADE A			
1	3289-06	Part	STAMPING WITH WINDING 23-2	0
1	2965-04	Part	ROTARY CUP WITH PERMANENT MAGNET 23-2 FR	A
1		Part	Flange Mounted Worm Gearbox	-



Isometric view

Recapitulation of: 2789-00
 Different parts: 10
 Total parts: 16

Quantity	Part Number
1	2789-01
1	2789-02
1	6001 1D12 0D28 THK3
1	2965-03
1	627 1D7 0D22 THK7
4	ISO 4014 BOLT M5x25
	STEEL GRADE A
4	ISO 1207 SCREW M4x16
	STEEL GRADE A
1	3289-06
1	2965-04
1	Flange Mounted Worm Gearbox



TACHOMETRIC CONTROLS
 CONTROL COPY
 Copy No. : 1
 Issue Date : 18/9/2015
 Issued To :- ASCO (Quality)
 Issuing Auth. :- ASCO

MASTER COPY

DIMENSIONS ARE IN MM UNLESS OTHERWISE SPECIFIED. REPORT ALL DIMENSIONS IN CASE OF DOUBT IN EDGE ASK. UNPRECIFIED TOLERANCE AS PER IS-2102 PART-1-1993 MEDIUM CLASS		THIS DRAWING IS OUR PROPERTY. IT CAN'T BE REPRODUCED OR COMMUNICATED WITHOUT OUR WRITTEN AGREEMENT.		DRAWING TITLE	
0.5 - 6	±0.1	ASW	DATE	18/09/2015	TACHOMETRIC CONTROLS SR. NO. 50/10/12 NEAR KARTHIGUR JUNG. ESTATE POST-NARE, TAL. HAVELI, PUNE-411041 (INDIA) BLDG MOTOR
6-30	±0.2	CHECKED BY	DATE	XXX	
30-100	±0.3	DESIGNED BY	DATE	XXX	
100-200	±0.5	SCALE	1:1	WEIGHT(KG)	
200-300	±0.8	DATE	18/09/2015	0.42	REV. NO.
300-400	±1.2	DATE	18/09/2015	2789-00	SHEET
400-500	±1.5	DATE	18/09/2015	2789-00	1/1

RATIO
10:1
12:1
16:1
24:1
48:1