

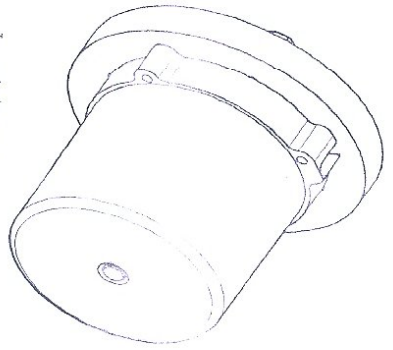
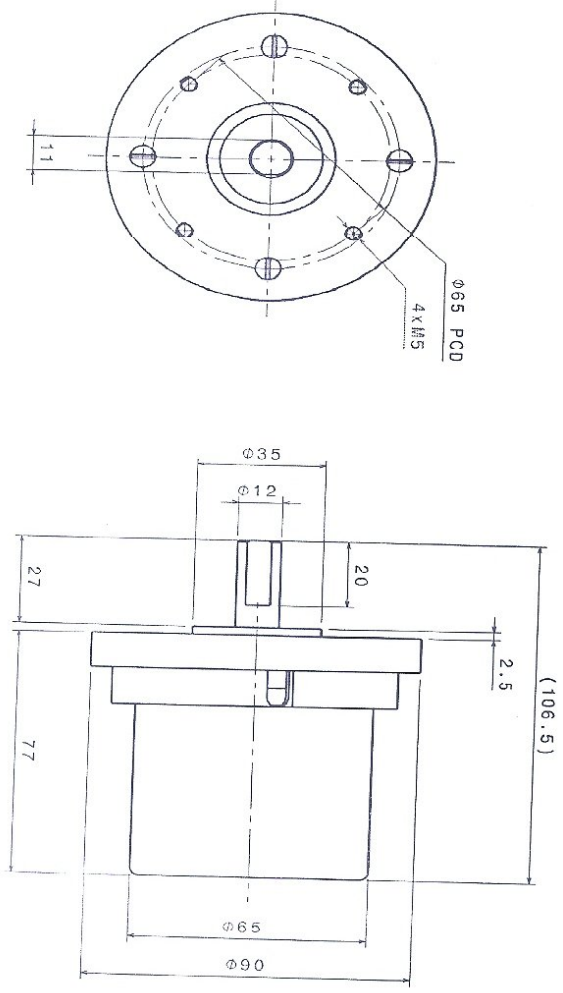
REV	DATE	DESCRIPTION	INIT
A	08/28/2015	CONVERTED TO CATIA, LENGTH 2.5 WAS 2.	ASW

Bill of Material: 2788-00

Quantity	Part Number	Type	Nomenclature	Revision
1	2788-01	Part	SHAFT	A
1	2779-02	Part	FLANGE	A
1	6001 1D12 0D28 THK8	Part	BEARING	-
1	2788-03	Part	BODY	A
4	627 1D7 0D22 THK7	Part	BEARING	-
1	ISO 1207 SCREW M4X16	Part	SCREW	-
1	STEEL GRADE A	Part	SLOTTED CHEESE HEAD	-
1	3288-06	Part	STAMPING WITH WINDING 23-3	0
1	2788-04	Part	CAP WITH PERMANENT MAGNET 23-3	A

Recapitulation of: 2788-00  
 Different parts: 8  
 Total parts: 11

Quantity	Part Number
1	2788-01
1	2779-02
1	6001 1D12 0D28 THK8
1	2788-03
1	627 1D7 0D22 THK7
4	ISO 1207 SCREW M4X16
1	STEEL GRADE A
1	SLOTTED CHEESE HEAD
1	3288-06
1	2788-04



Isometric View

**MASTER COPY**

**TACHOMETRIC CONTROLS**  
 CONTROL  
 Copy No. 1  
 Issue Date: 28/9/2015  
 Issued To: Asw (Quality)  
 Issuing As: Asw

CHECKING AND FINISHES:  
 REMOVE UNDESIRABLE SURFACES  
 DO NOT SCALE THE DRAWING  
 IN CASE OF DOUBT REFER TO THE  
 DESIGNER'S SPECIFICATIONS  
 APPROVED TOLERANCES AS PER IS  
 2002 PART-1-1993 UNLESS OTHERWISE  
 SPECIFIED

DATE	BY	DESCRIPTION
08/28/2015	ASW	DRAWN BY
08/28/2015	ASW	CHECKED BY
08/28/2015	ASW	DESIGNED BY

This drawing is our property. It can be reproduced or communicated without our written agreement.

**TACHOMETRIC CONTROLS**  
 SR. NO. 50/10/12 HUDA, JALAN BANGSAR, 110, ESTATE, BANGSAR, MAL. (INDIA), PHONE: 411341 (INDIA)

DRAUGHTING TITLE: **BLDC MOTOR (MODEL 23-3)**  
 SIZE: A2  
 DRAUGHTING NUMBER: 2788-00  
 SCALE: 1:1 (WEIGHT) (kg) 0.94  
 REF. NO.: XXXX XX  
 SHEET: 1/1