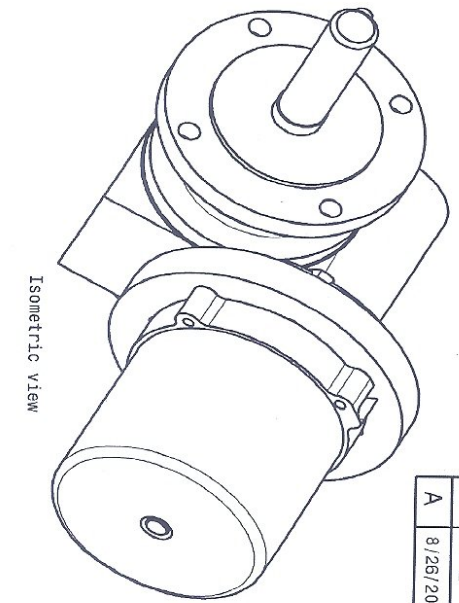


REV	DATE	DESCRIPTION	INIT
A	8/26/2015	POWERED TO DATA.	ASW



Isometric view

MASTER COPY

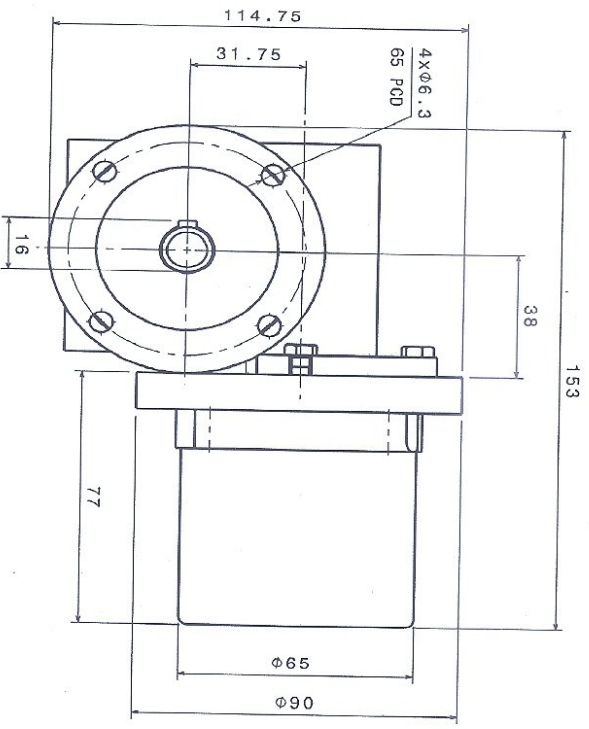
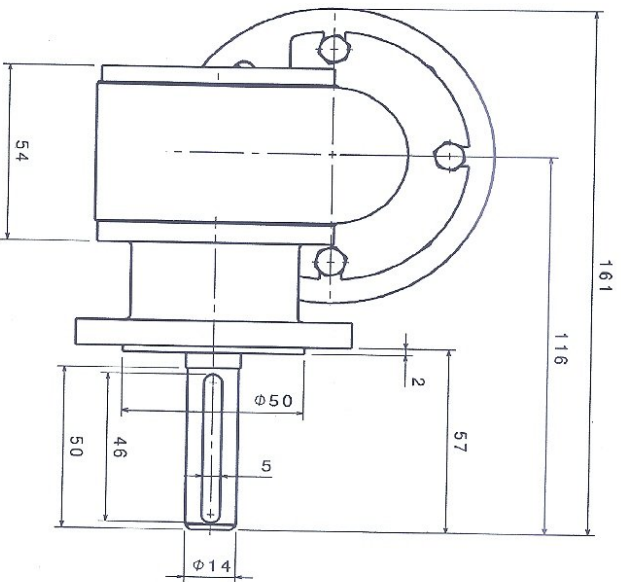
TACHOMETRIC CONTROLS
CONTROL-COPY

Copy 1
Issued 8/26/2015
Issued by: Quality (ASW)
Issued for: ASW

Quantity	Part Number	Type	Nomenclature	Revision
1	2779-01	Part	SHAFT	A
1	2779-02	Part	FLANGE	A
1	6001 ID12 0D28 THK8	Part	BEARING	A
1	2788-03	Part	BODY	A
1	627 ID7 0D22 THK7	Part	BEARING	A
4	ISO 4014 BOLT M5x25	Part	BOLT	A
4	HEXAGON HEAD	Part	SCREW	A
4	ISO 1207 SCREW M4x16	Part	SCREW	A
1	3288-06	Part	STAMPING WITH WINDING 23-3	0
1	2788-04	Part	CAP WITH PERMANENT MAGNET 23-3	A
1	Flange Mounted Worm Gearbox	Part	Flange Mounted Worm Gearbox	A

Recapitulation of: 2779-00
Different parts: 10
Total parts: 16

Quantity	Part Number
1	2779-01
1	2779-02
1	6001 ID12 0D28 THK8
1	2788-03
1	627 ID7 0D22 THK7
4	ISO 4014 BOLT M5x25
4	HEXAGON HEAD
4	ISO 1207 SCREW M4x16
1	STEEL GRADE A
1	SLOTTED CHEESE HEAD
1	3288-06
1	2788-04
1	Flange Mounted Worm Gearbox



THIS DRAWING IS OUR PROPERTY. IT CAN'T BE REPRODUCED OR COMMUNICATED WITHOUT OUR WRITTEN AGREEMENT.

DRAWN BY: ASW
CHECKED BY: XXX
DESIGNED BY: ASW

DATE: 8/26/2015

TACHOMETRIC CONTROLS
SR. NO. 50/10/12 NEAR ASHTRUCHI IND. ESTATE,
POST-MARHE, TAL. HAVELI, PUNE-411041 (INDIA)

DRAWING TITLE: **BLDC MOTOR**
(TECHNOCRAFT WR GB, MODEL 23-3)

SIZE: A2
DRAWING NUMBER: 2779-00

SCALE: 1:1
WEIGHT(KG): 1.13
REF. NO.: 2779-00
SHEET: 1/1

RATIO
10:1
12:1
16:1
24:1
28:1
48:1