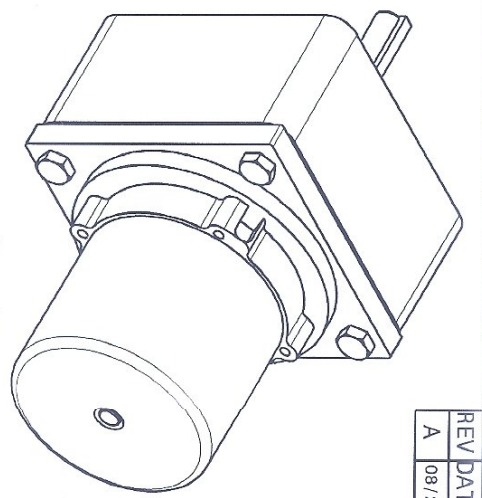


Quantity	Part Number	Type	Nomenclature	Revision
1	2778-02	Part	FLANGE	A
1	6001 ID12 0D28 THK8	Part	BEARING	-
1	2778-01	Part	SHAFT	A
1	2788-03	Part	BODY	A
1	627 ID7 0D22 THK7	Part	BEARING	-
1	TCGB INLINE GEARBOX	Part	TCGB INLINE GEARBOX	-
4	ISO 1207 SCREW MAX16	Part	SCREW	-
4	STEEL GRADE A	Part	SLOTTED CHEESE HEAD	-
4	ISO 4014 BOLT M6X30	Part	BOLT	-
4	STEEL GRADE A	Part	HEXAGON HEAD	-
1	2788-04	Part	CAP WITH PERMANENT MAGNET 23-3	A
1	3288-06	Part	STAMPING WITH WINDING 23-3	0

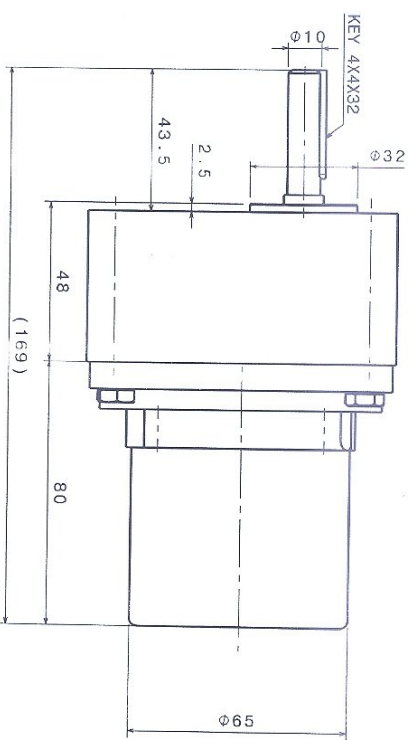
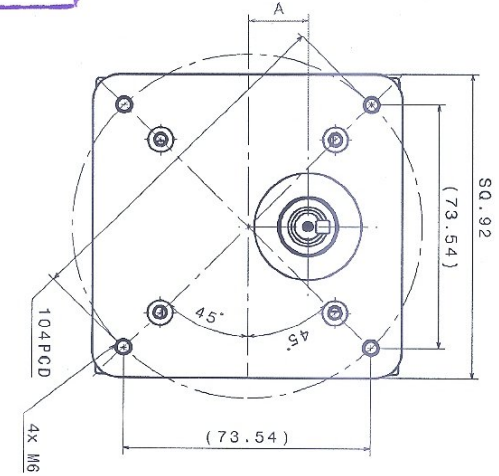
Recapitulation of: 2778-00
 Different parts: 10
 Total parts: 16

Quantity	Part Number
1	2778-02
1	6001 ID12 0D28 THK8
1	2778-01
1	2788-03
1	627 ID7 0D22 THK7
1	TCGB INLINE GEARBOX
4	ISO 1207 SCREW MAX16
4	STEEL GRADE A
4	SLOTTED CHEESE HEAD
4	ISO 4014 BOLT M6X30
4	STEEL GRADE A
4	HEXAGON HEAD
1	2788-04
1	3288-06

TACHOMETRIC CONTROLS
 CONTROL COPY
 Copy No. :- 1
 Issue Date :- 28/8/2015
 Issued To :- ASW (Quality)
 Issuing Auth. :- ASW



Isometric view



DIMENSIONS ARE IN MILLIMETERS UNLESS OTHERWISE SPECIFIED. REMOVE SHARP EDGES AND CORNERS TO CORRESPOND TO THE DIMENSIONS IN THE CASE OF MODIFIED PARTS. UNSPECIFIED TOLERANCE AS PER IS 2102 PART-1:1983 METRIC CLASS 0.5 - 6		THIS DRAWING IS OUR PROPERTY AND IT CAN BE REPRODUCED OR COPIED IN ANY MANNER WITHOUT OUR WRITTEN AGREEMENT.	
6-30	±0.2	DRAWN BY	ASW
30-120	±0.3	CHECKED BY	XXX
120-400	±0.5	DATE	08/28/2015
400-1000	±0.8	DATE	XX
1000-5000	±1.2	DESIGNED BY	ASW
5000-50000	±2	DATE	08/28/2015

19.1:1	12.5
15.5:1	18.0
5.3:1	20.3
RATIO	A

REV	DATE	DESCRIPTION	INIT
A	08/28/2015	POWERED TO DATA. GEARBOX DIMENSIONS MODIFIED.	ASW

TACHOMETRIC CONTROLS SR. NO. 507/0/12 MGR. ADMIN/BUCH. IND. STATE. POST-WAREH. TML. HAVELI, PUNE-41104 (INDIA)	
DRAWING TITLE: BLDC MOTOR	
DRAWING NUMBER: 2778-00	
SIZE: A2	REV: A
SCALE: 1:1	WEIGHT (Kg): XXX
SHEET: 1/1	REF. NO.: 2778-00