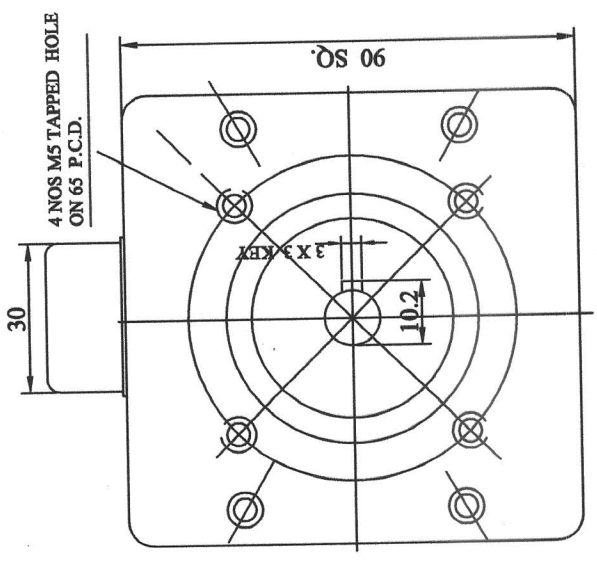
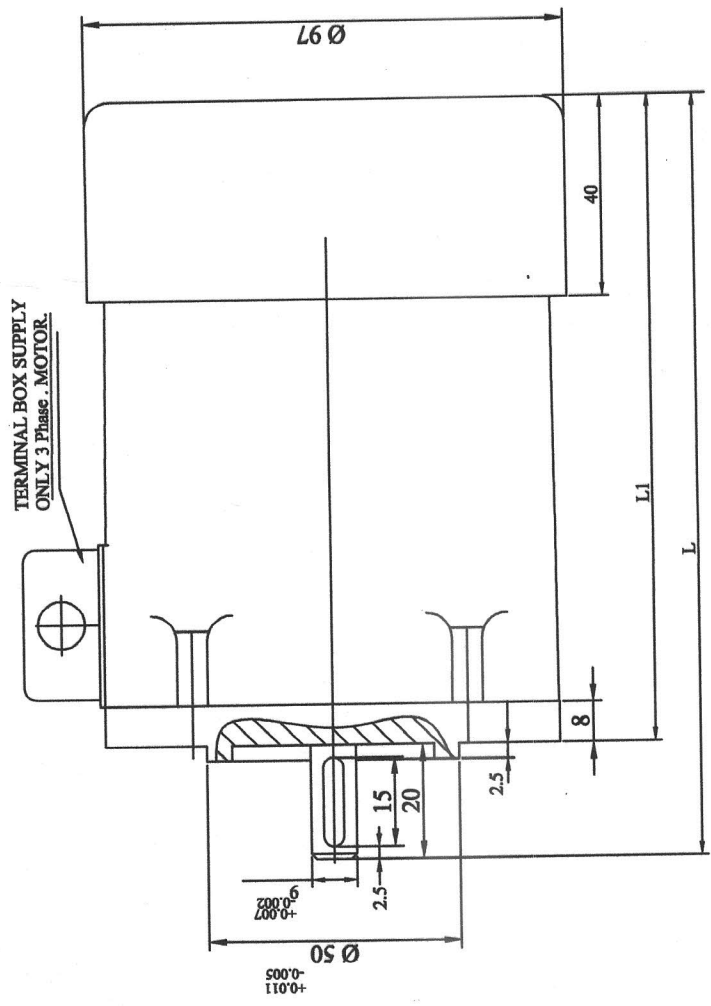


SYMBOL	RA/UM
VVVV	0.025-0.1
VVV	0.1-0.8
VV	1.6-8.3
V	12.5-25
S	50



180	168	188
90/120	148	168
60/40	128	148
WATT.	L1	L

* WITHOUT FAN



SYMBOL		DATE		DATE		DRG. NO.	
VVVV		23/3.05		4/04/07		56F-2757-00	
VV		CH-5003		M.D.K		DRN. M.D.K.	
V		DRG. REDRAWN		SIGN.		APPRD.	
S		BRIEF RECORD		AMENDMENTS		DRG. NO.	
RA/UM		DATE		TITLE		DRG. NO.	
0.025-0.1		23/3.05		56 FRAME		56F-2757-00	
0.1-0.8		CH-5003		INDUCTION MOTOR ASSLY.		56F-2757-00	
1.6-8.3		DRG. REDRAWN		FACE MOUNTING B-14		56F-2757-00	
12.5-25		BRIEF RECORD		(PRESSURE DIACAST BODY)		56F-2757-00	
50		AMENDMENTS		TACHOMETRIC CONTROLS		56F-2757-00	
				SR.NO.16/10 NEAR SAVALI DHABA,		56F-2757-00	
				NANDED, SINHAGAD ROAD, PUNE-4		56F-2757-00	
				DIMENSIONS ARE IN MILLIMETERS.		56F-2757-00	
				FIRST ANGLE PROJECTIONS.		56F-2757-00	
				DO NOT SCALE THE DRAWING.		56F-2757-00	
				SHARP EDGES REMOVED.		56F-2757-00	
				IN CASE OF DOUBT PLEASE ASK.		56F-2757-00	
				DEVIATION ON NON TOLERANCED LINEAR MACHINED DIMENSIONS		56F-2757-00	
				I.S. 2102-1980 MEDIUM CLASS.		56F-2757-00	
				ABOVE		56F-2757-00	
				0.5		56F-2757-00	
				6		56F-2757-00	
				30		56F-2757-00	
				120		56F-2757-00	
				315		56F-2757-00	
				UP TO		56F-2757-00	
				6		56F-2757-00	
				30		56F-2757-00	
				120		56F-2757-00	
				315		56F-2757-00	
				1000		56F-2757-00	
				INCLUDE		56F-2757-00	
				0.1		56F-2757-00	
				0.2		56F-2757-00	
				0.3		56F-2757-00	
				0.5		56F-2757-00	
				0.8		56F-2757-00	
				TOTAL		56F-2757-00	