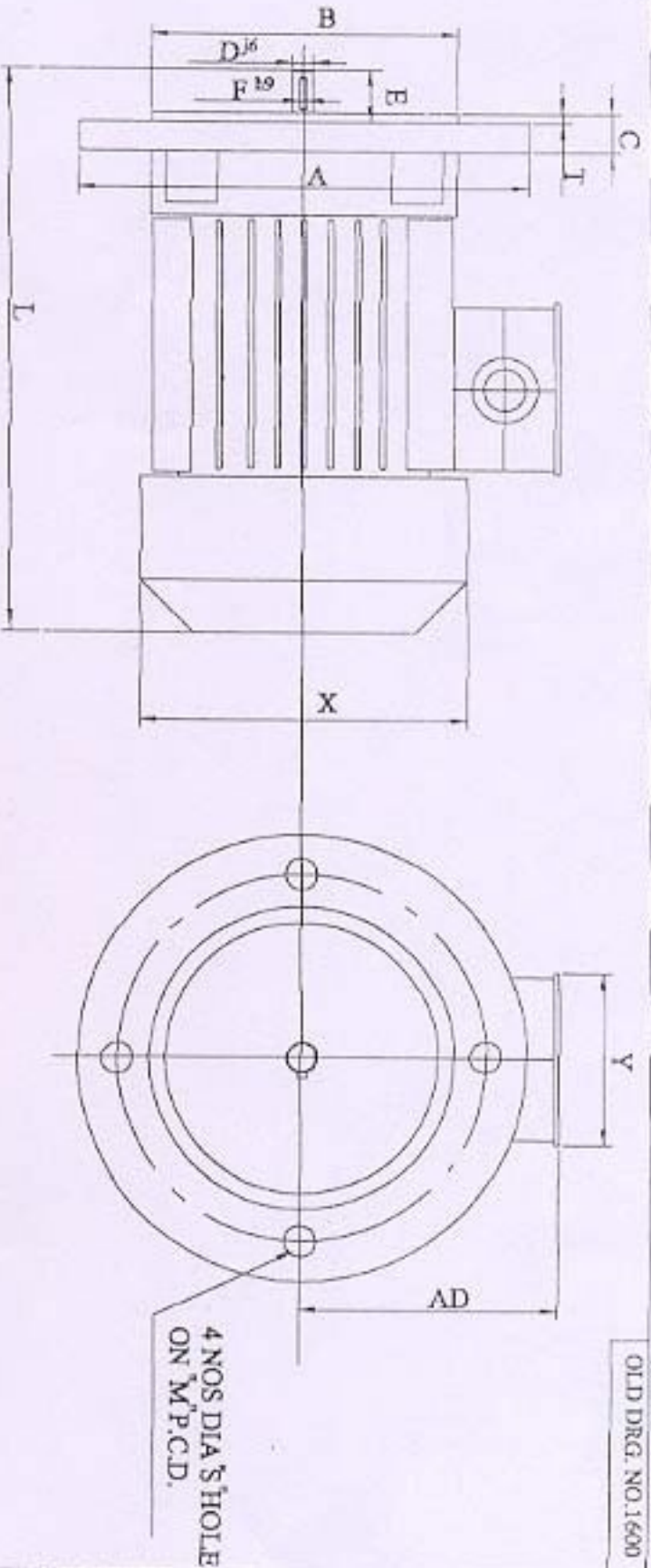


OLD DRG. NO.1600



4 NOS DIA S HOLE ON M.P.C.D.

S	50
Δ	12.5 - 2.5
∇∇	1.6 - 8.3
∇∇∇	0.1 - 0.8
∇∇∇∇	0.025 - 1.1
SYMBOL	RA / UM

FRAME	A	B	C	D	E	F	L	X	Y	AD	M	S	T
63F-002-B5	140	95	9	11	23	4	220	130	82	97	115	10	3
71F-002-B5	160	110	9	14	30	5	245	145	82	104	130	10	3.5
80F-002-B5	200	130	10	19	40	6	290	160	85	120	165	12	3.5

Ⓐ SUPERSEED DRG. NO. 1600 DATED 13-02-2000.

DIMENSIONS ARE IN MILLIMETERS. FIRST ANGLE PROJECTIONS. DO NOT SCALE THE DRAWING. SHARP EDGES REMOVED. IN CASE OF DOUBT PLEASE ASK. DEVIATION ON NON TO BE SPANNED LINEAR MACHINED DIMENSIONS IS 2102-1980 MEDIUM CLASS.		WEIGHT	TITLE	DATE				
ABOVE	0.5	6	30	120	315	SCALE N.T.S.	INDUCTION MOTOR FLANGED MOUNTED (B5) 63; 71; 80 FRAME.	12 - 02 - 03
BELOW	6	30	120	315	1000			DRN. M. D. K.
INCL. TO ENCL. NO.	6	0.2	0.3	0.5	0.8		TACHOMETRIC CONTROLS 1025, AB, SAIDASHIV PETH, PUNE 39, INDIA.	APPRD.
TOTAL	0.1							DRG. NO. 63F-002-B5-00

SYM.	DATE	CHANGNO.	BRIEF RECORD	SEGN.
Ⓐ	12/02/03	CH-	OLD DRG. CHANGED	M.D.K.
AMENDMENTS				