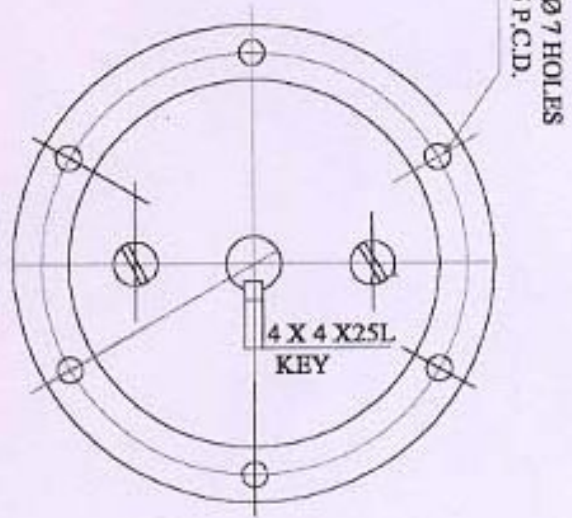
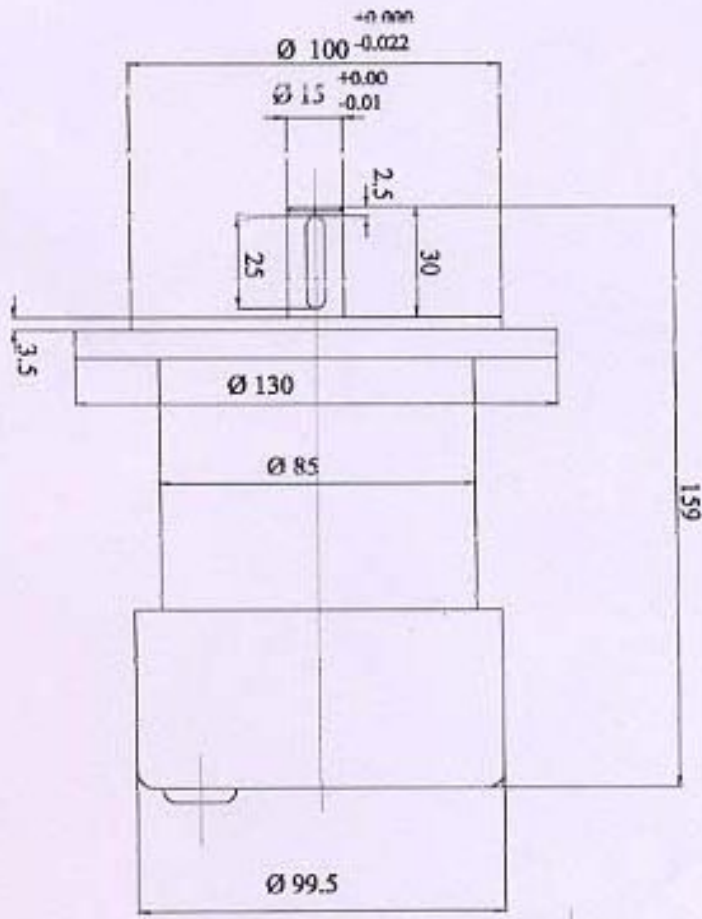


SYMBOL	RA / DIA
∅	12.5 - 2.5
∇	1.6 - 8.3
∇∇	0.1 - 0.8
∇∇∇	0.025 - 0.1



(A) SUPERSEID DRG.NO. 105 DATED - 30-03-2000

CONTROLLED COPY  
25/11/05

FLANGE- DTD-4000-02  
SHAFT- DTD-4001-03

DIMENSIONS ARE IN MILLIMETERS, FIRST ANGLE PROJECTION, DO NOT SCALE THE DRAWING, SHARP EDGES REMOVED, IN CASE OF DOUBT PLEASE ASK DRAWING FOR NON TOLERANCED LINEAR DIMENSIONS I.S. 2102-1980 MEDIUM CLASS.		WEIGHT	TITLE	DATE
SCALE		N.T.S	D.C.TACHOGENERATOR DTD-4000	7-02-03
DRG.NO.		TACHOMETRIC CONTROLS		DRN. M.D.K
APPRD.		1025, AB, SADASHIV PETH, PUNE 30, INDIA.		DTD-4000-001
AMENDMENTS		TOTAL		
SYM.	DATE	CH. AN. NO.	REVISION SCORE	SIGN.
(A)	7-02-03			M.D.K
OLD DRG. CHANGED				

ABOVE	0.5	6	30	120	315
UP TO INCLUSIVE	6	30	120	315	1000
TOTAL	0.1	0.2	0.3	0.5	0.8